

# SA315 Speaker

SUPER COMPACT, MULTI PORT 100 WATT RMS SPEAKER



***Smaller size speaker with full size performance will mount in more locations than ever before.***

***The SA315 installs easily and delivers traffic clearing warning where it's needed: down and in front of your vehicle.***

***Complies with OSHA 1910.95 guidelines regarding permissible noise exposure.***

## FEATURES

- All weather nylon composite black housing with front loaded, powder coated speaker driver.
- Superior performance in a very small profile package. Only 2.9" in depth.
- Exceeds California Title XIII, Class A and S.A.E. J1849 requirements with most 100 watt sirens. (120-123dB @10')
- Optimum performance assured when used with all Whelen high-power electronic sirens.
- Easily installs to the radiator cross member in just a few minutes (without dismantling the front grille of the vehicle).
- Truer tone quality and wider/higher frequency response than speakers of comparable size.
- Universal mounting bracket, plus vehicle specific brackets available.
- Compact size is ideal for concealed installations in any type vehicle.
- Two year standard Whelen warranty.
- U. S. Patent Pending.
- Dimensions:  
6-1/2" (135mm) H x  
6-1/2" (135mm) W x  
2-9/10" (74.6mm) D.  
Weight: 4 lbs. 11 oz. (2.12kg)



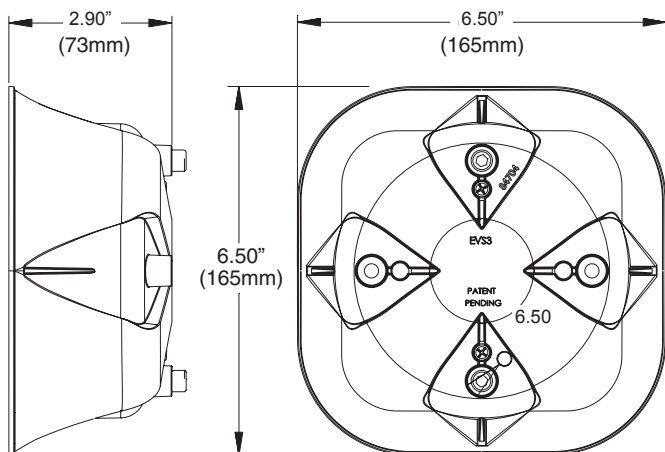
***All Whelen Products  
are Proudly  
Designed & Manufactured  
in the U.S.A.***

Form# S3150707

**WHELEN®**  
Engineers for the Emergency Warning Industry

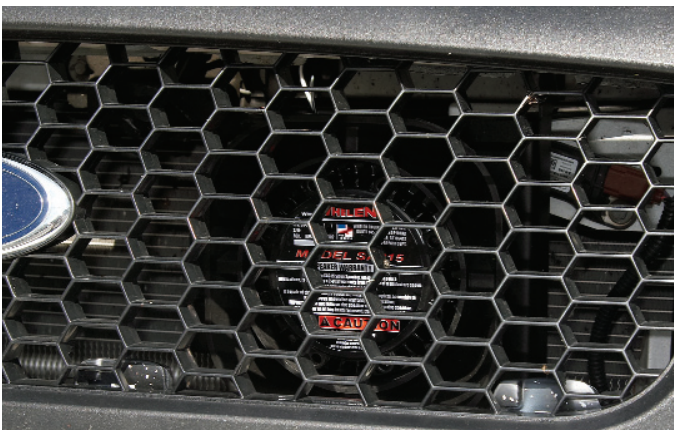
SA315 SPEAKER

# SA315 SPECIFICATIONS



## MODELS

SA315P ..... 123dB Speaker, Nylon Composite



## AVAILABLE MOUNTINGS

### UNIVERSAL MOUNTINGS

- SAK1 ..... Ford Explorer, 2002-2007,  
Chevy Suburban/Tahoe, 2004-2006,  
Dodge Charger, 2005-2006
- SAK9 ..... Universal/Swivel Bail Type Mount Bracket

### VEHICLE SPECIFIC MOUNTING BRACKETS

- SAK5 ..... Chevy Suburban/Tahoe, 2000-2003,  
Chevy Avalanche, 2002-2007,  
GMC Envoy, 2004-2007
- SAK10 ..... Ford Excursion, 2002-2006
- SAK11 ..... Chevy Trail Blazer, 2002-2007
- SAK13 ..... Ford Expedition, 2003-2006
- SAK14 ..... Ford Taurus with ABS 2002- 2006
- SAK17 ..... Quick Installation for Ford  
Crown Victorias, 2003-2008
- SAK18 ..... Dodge Magnums, 2005-2007
- SAK20 ..... Ford Escape, 2004-2007
- SAK21 ..... Chevy Impala (Non-Police & Police Package)  
2006-2007
- SAK22 ..... Ford 500, 2005-2007
- SAK23 ..... Ford Expedition, 2007
- SAK24 ..... Chevy Suburban/Tahoe, 2007
- SAK25 ..... Chevy Express Van, 2006-2007
- SAK26 ..... Dodge Sprinter, Driver Side 2004-2007
- SAK27 ..... Dodge Sprinter, Passenger side 2004-2007
- SAK28 ..... Ford "F" Series, Driver Side 2008\*
- SAK29 ..... Ford "F" Series, Passenger Side 2008\*

\*Requires removal of factory fog lights, if equipped.



Route 145, Winthrop Road  
Chester, Connecticut 06412-0684  
(860) 526-9504 • Fax: (860) 526-4078  
www.whelen.com



*Whelen Engineering reserves the right to upgrade and improve products without notice.*